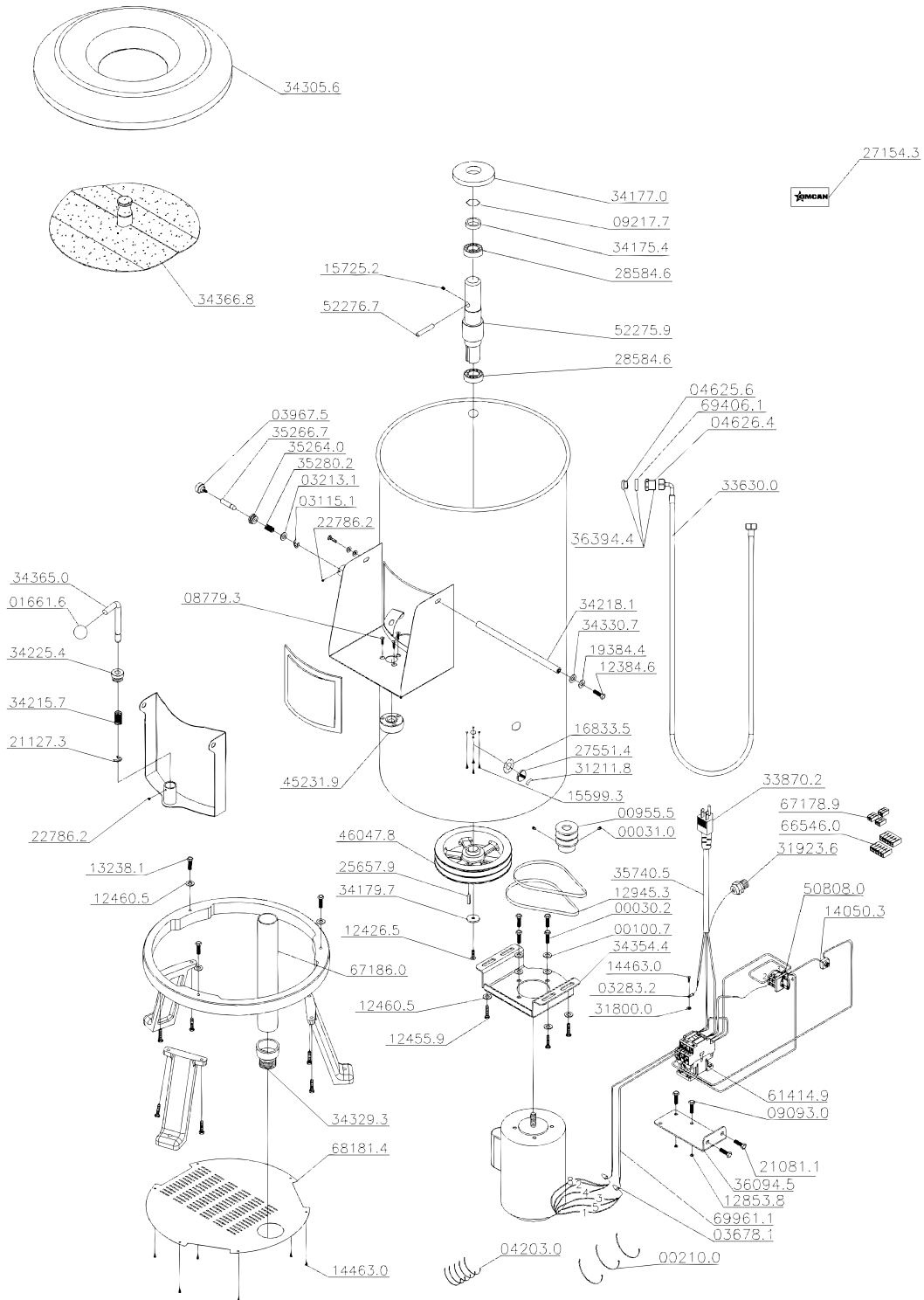


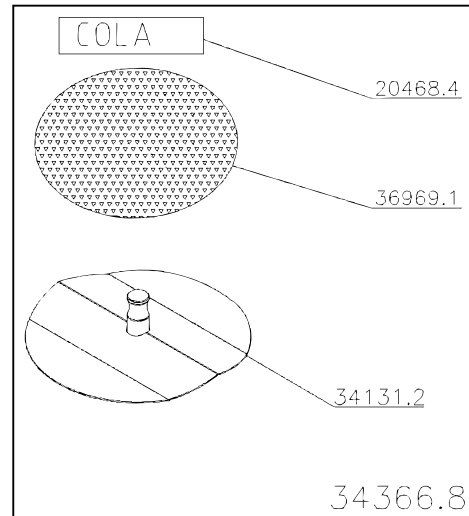
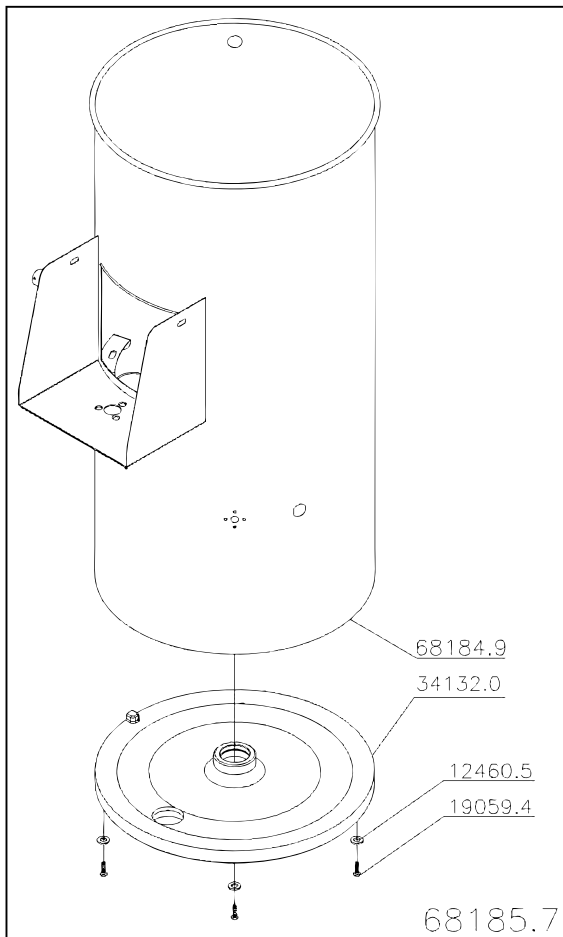
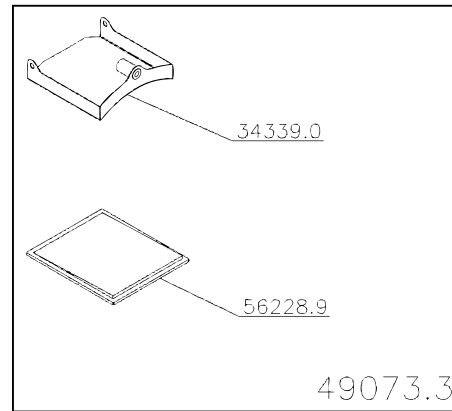
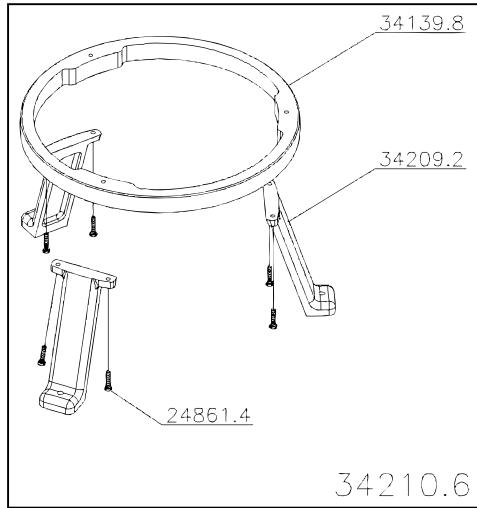
Parts Breakdown

Model PE-BR-0025 20367



Parts Breakdown

Model PE-BR-0025 20367



Parts Breakdown

Model PE-BR-0025 20367

Item No.	Description	Position	Item No.	Description	Position	Item No.	Description	Position
27686	PFS Sex UNC1/4x3/4 RTZB for 20367	00030.2	27709	Screw M8x16 DIN 933 ZB for 20367	19059.4	27748	Nylon Washer for 20367	34330.7
38143	Screw 5/16x5/16 for 20367	00031.0	38341	Washer 1/4x5/8x1.2mm Stainless Steel for 20367	19384.4	27749	Door Set for 20367	34339.0
30234	Washer L 1/4x1 6 ZB for 20367	00100.7	AN884	Prepared Glue for 20367	20468.4	27750	Motor Support for 20367	34354.4
27688	Clamp K22 (T 50R) for 20367	00210.0	27711	Screw M5x10 DIN 933 Stainless Steel for 20367	21081.1	27751	Trigger Axis C / Fold for 20367	34365.0
38142	Moving Poley for 20367	00955.5	27712	Ring 10 DIN 6799 for 20367	21127.3	24025	Abrasive Disc for 20367	34366.8
21838	Sphere with Hole 1/2 for 20367	01661.6	27714	PFS M5x5 DIN 916 Inox for 20367	22786.2	27757	Lateral Latch Cover for 20367	35264.0
27694	Ring 10x1 DIN 471 for 20367	03115.1	27715	PFS M6x30 DIN 933 Inox for 20367	24861.4	27758	Pino da Trava Lateral for 20367	35266.7
16403	Washer L 3/8 Stainless Steel for 20367	03213.1	27716	Key Way 4.76x25 for 20367	25657.9	27759	Side Lock Spring for 20367	35280.2
66186	Term. Pre-Isol.AN-2434 for 20367	03283.2	27720	Omcans Logo (Machines) for 20367	27154.3	AE679	CB.3x3.3mm2 SJX2M Certif. for 20367	35740.5
27696	Nylon Cover CN 4478 for 20367	03678.1	27721	Button for 20367	27551.4	27760	Chapa Contactor Grey for 20367	36094.5
27697	Knob M5x10mm for 20367	03967.5	27722	Bearing 6005 DDU for 20367	28584.6	27761	Nipple/Reduction Set for 20367	36394.4
27699	Cramp T 18R Small for 20367	04203.0	27725	Etq.Para Buttonhole Timer for 20367	31211.8	27762	Aluminum Oxide No.46 for 20367	36969.1
AN883	Nipel 1/2" - PVC (Krona) for 20367	04625.6	67039	Nut M4 DIN 985 Stainless Steel for 20367	31800.0	38140	Flange Fixacao da Porta for 20367	45231.9
30194	Reduction Bush for 20367	04626.4	27726	Cord Holder PG13.5 LC+P/9 for 20367	31923.6	38141	Driven Pulley D.164 (Primer) for 20367	46047.8
27702	PFS M6x20 DIN 965 Inox for 20367	08779.3	27727	Water Inlet Set for 20367	33630.0	38145	Door with Rubber for 20367	49073.3
AH533	PFS M3x16 DIN 7985 ZB for 20367	09093.0	AE678	American Plug Cert.20A 115V (4A255) for 20367	33870.2	AN193	Rotary Disconnect Switch MSW 20 P2 for 20367	50808.0
27703	Ring 47x1.75 DIN 472 for 20367	09217.7	AN885	CS Disco BR. for 20367	34131.2	64824	Central Shaft for 20367	52275.9
16416	Screw M6x12 DIN 933 Stainless Steel for 20367	12384.6	27728	Background Machined (Etched) for 20367	34132.0	64822	Guide Pin 8x50 DIN 7 M6 for 20367	52276.7
AH588	PFS M6x16 DIN 933 Inox for 20367	12426.5	27730	Aro Usinado (Cinza) for 20367	34139.8	65981	Insulation Frame FE006-230 for 20367	56228.9
16422	Screw M8x20 DIN 933 Stainless Steel for 20367	12455.9	27734	Retainer 25x47x10 for 20367	34175.4	AN886	Mini Cont.CWB25-11-30D13 110V 50/60Hz for 20367	61414.9
16423	Washer L.A8.4 Stainless Steel for 20367	12460.5	27736	Rubber Protection for 20367	34177.0	AM613	Wago Splicing Connector 5x0.25-4mm2 for 20367	66546.0
38044	Nut M3 DIN 934 Stainless Steel for 20367	12853.8	27737	Washer 7x30x3 for 20367	34179.7	AM614	Wago Splicing Connector 2x0.25-4mm2 for 20367	67178.9
38144	Belt A 22 for 20367	12945.3	27741	PE Machined (Etched) for 20367	34209.2	AN887	Outlet Tub for 20367	67186.0
38086	Screw M8x16 DIN 933 Stainless Steel for 20367	13238.1	27742	Rim with Mounted Feet for 20367	34210.6	AN888	Fund Closing for 20367	68181.4
24021	Timer for 20367	14050.3	27743	Spring Trigger for 20367	34215.7	AN889	CS Cabinet for 20367	68184.9
16435	Screw M4x10 for 20367	14463.0	27744	Separator Door for 20367	34218.1	AN890	Full Cabinet for 20367	68185.7
30279	Screw B.3.5x9.5 DIN 7971 for 20367	15599.3	27745	Tampa Trigger for 20367	34225.4	AN200	Nylon Washer 30x22x4.5mm for 20367	69406.1
64823	Screw M5x5 DIN 916 for 20367	15725.2	24024	Funnel Lid (MOL.37663.9) for 20367	34305.6	AN891	Complete Electrical Harness for 20367	69961.1
27706	Timer Label for 20367	16833.5	27747	Adapt.Short Thread D.60x2 for 20367	34329.3			